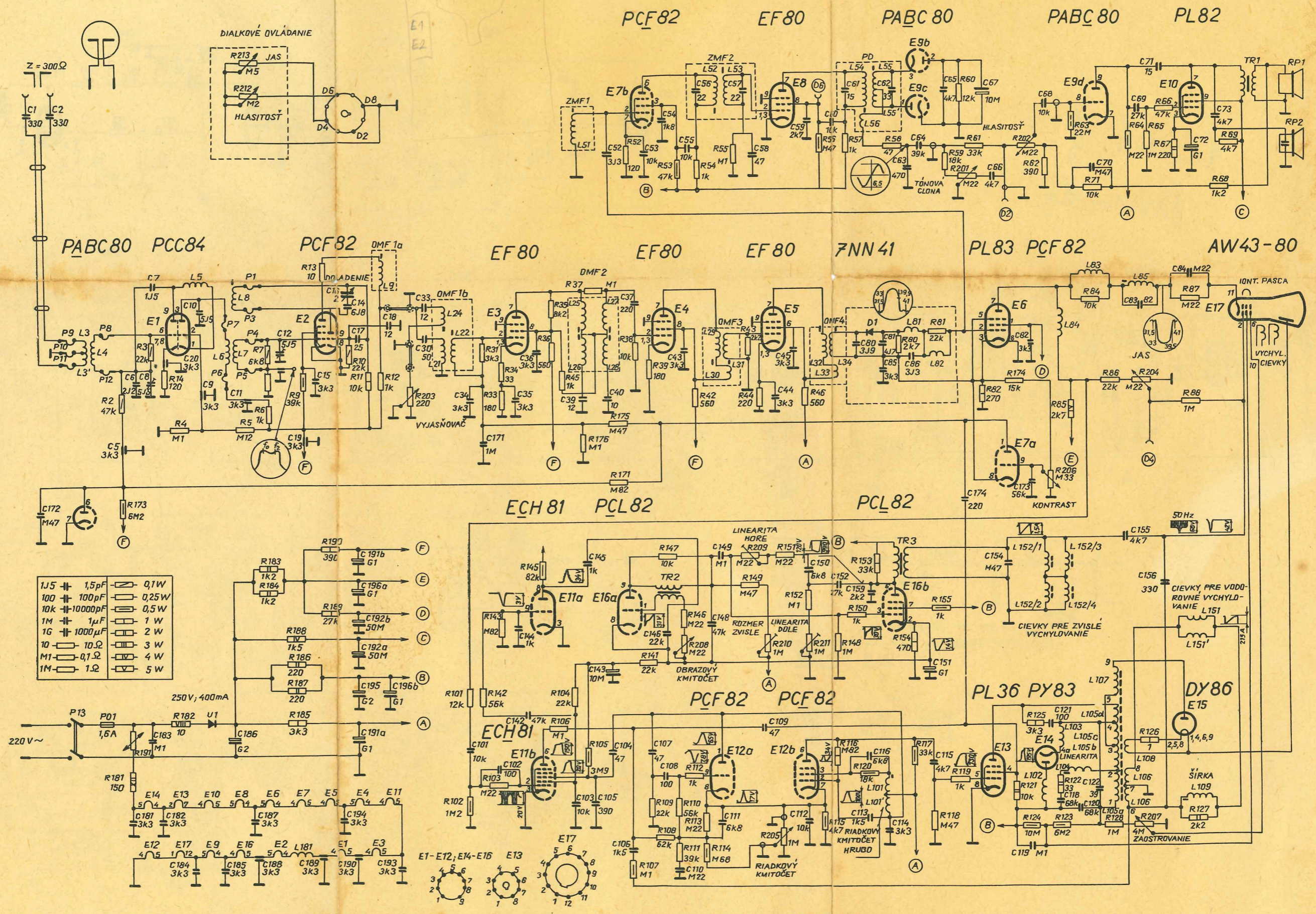


R	2, 173,	3, 14, 4,	5, 213, 212, 7, 8, 6,	9, 13,	10, 11, 12,	203,	31, 34, 33,	35, 35, 45, 176, 37,	175, 171, 52, 38, 39, 53, 54, 42, 55, 43, 44,	46, 56,	57,	58, 80,	59, 81, 60, 201, 61, 62,	174, 202, 62, 206, 63, 85,	71, 84, 86, 64, 65, 204, 66, 67, 87, 88, 68, 69				
C	1, 172, 2,	5, 6, 7, 8, 20,	10, 9,	11, 12, 13,	16, 14, 17, 18,	30, 33,	34, 171, 35,	36,	39, 52, 40,	37, 53, 54,	55, 43, 56,	57, 58, 44, 45, 59,	60, 61, 80,	81, 85, 62, 63, 86, 64, 65, 174, 67, 68,	87, 173, 68,	70,	69, 83, 71,	72, 84, 73,	
L	3, 3', 4,	181, 183, 182,	184, 185,	186, 187, 188,	189, 19,	191b, 196a,	192b, 195, 197a,	190, 196b, 193,	101, 102, 144, 142,	103, 145,	143, 105, 104, 106, 107, 146,	108, 110, 148, 149, 111,	109, 150, 112,	152, 159, 116, 113, 114,	151, 115,	154, 119, 121, 118,	120, 122,	155,	151, 102, 84, 103, 83, 104, 85, 107, 105a-d, 108, 106, 106', 151', 109,



Obr. 7.14.* Schéma televízneho prijímača Ametyst 4106-U